

GSAD-160 Swing Door Lid Stay

Swing door opening

Opening Direction	Description
<p>Swing Door</p>	<p>For Swing Door</p> <p>Right-handed Only</p>

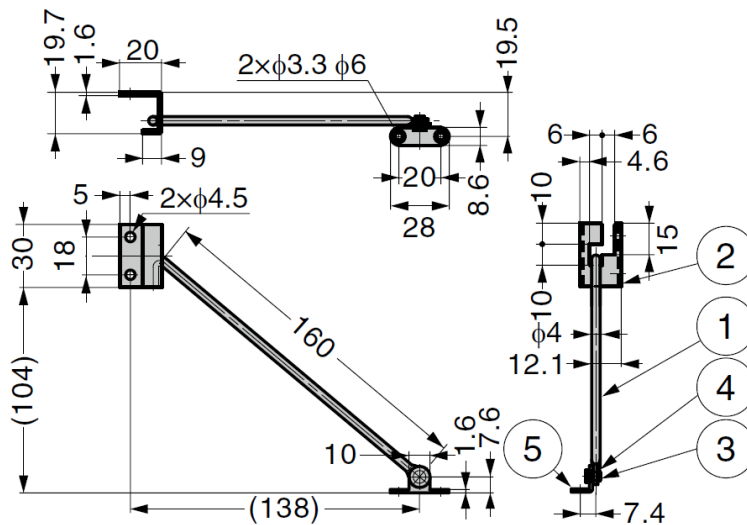
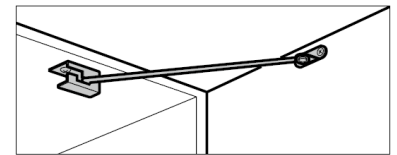
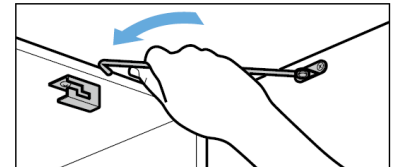
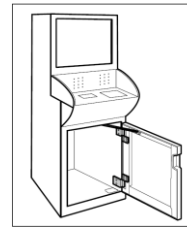


Features

- Can be removed from the door
- Horizontal installation at the upper part of the door. (vertical use not allowed)

Notes

- For right hand door only
- No lock mechanism, stopper not included
- Opening angle and installation position change depending on the position of hinge centre. Determine the installation position based on the hinges used and cabinet shape



No.	Item Code	Item Name	Finish/Colour
①	Arm	Stainless Steel (SUS304)	Barrel Polished
②	Stopper		
③	Rivet	Stainless Steel	
④	Washer	PA	Natural
⑤	Bracket	Stainless Steel (SUS304)	Barrel Polished

Part No.	Type
GSAD-160	Right-handed